

KIT PART NUMBER 1477146

INSTRUCTIONS FOR INSTALLING A TRAY STOP REPLACEMENT BLOCK KIT

**CHECK THE PARTS RECEIVED IN THE KIT WITH THE PARTS LIST
IN THESE INSTRUCTIONS. IF ANY PARTS ARE MISSING,
CONTACT NATIONAL VENDORS' PARTS DEPARTMENT IMMEDIATELY.**

Read these instructions carefully before installing the kit.
Retain these instructions for part numbers and for future reference.

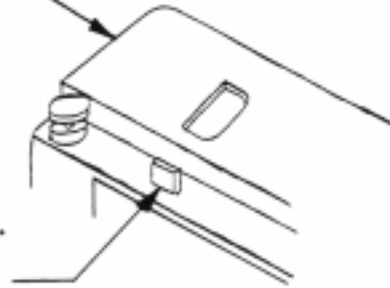
This kit contains the following:

PART NUMBER	DESCRIPTION	QUANTITY
1477145	Plate, replacement block	2
1477144	Replacement block, tray stop	2
1451133	Screw, #8-32 x 1.25 Hex Hd, T/F	4
1470036	Installation instructions	1

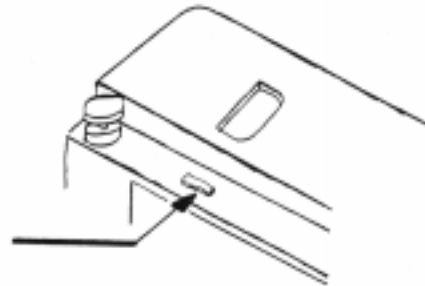
INSTALLATION OF THE TRAY STOP REPLACEMENT BLOCK AND PLATE

REAR CORNER
OF TRAY

1. ALL OR PART OF THE ORIGINAL TRAY STOP MAY HAVE BROKEN OFF. REMOVE ANY PART OF THE TRAY STOP THAT REMAINS.



2. FILE THIS AREA SMOOTH.



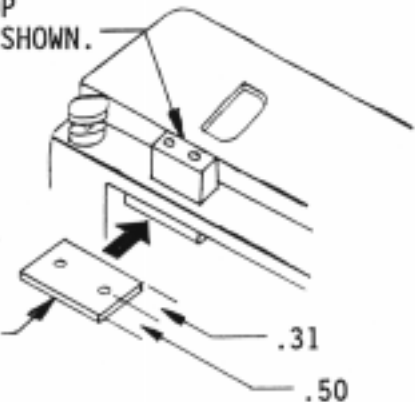
3. POSITION THE REPLACEMENT BLOCK PLATE AS SHOWN. USING THE PLATE AS A GUIDE, MARK AND DRILL TWO .177 HOLES IN THE SIDE OF THE TRAY.

2.156
(2 5/32)



4. POSITION THE TRAY STOP REPLACEMENT BLOCK AS SHOWN.

5. POSITION THE PLATE AS SHOWN.



6. SECURE THE BLOCK TO THE PLATE WITH TWO OF THE SCREWS INCLUDED IN THIS KIT.